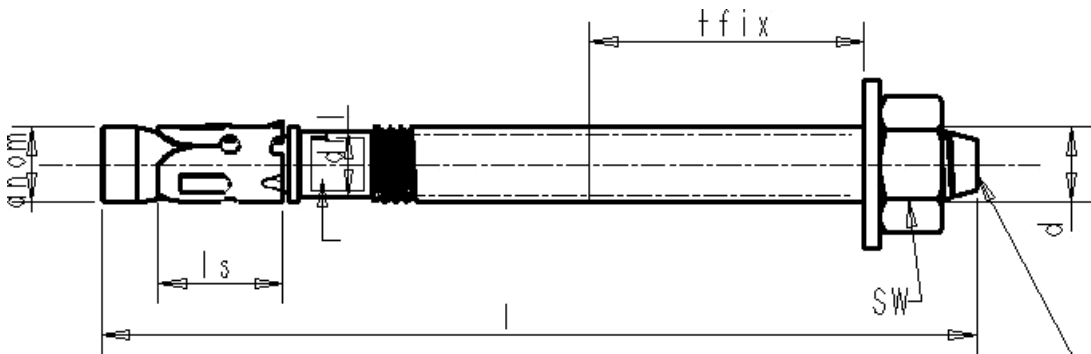


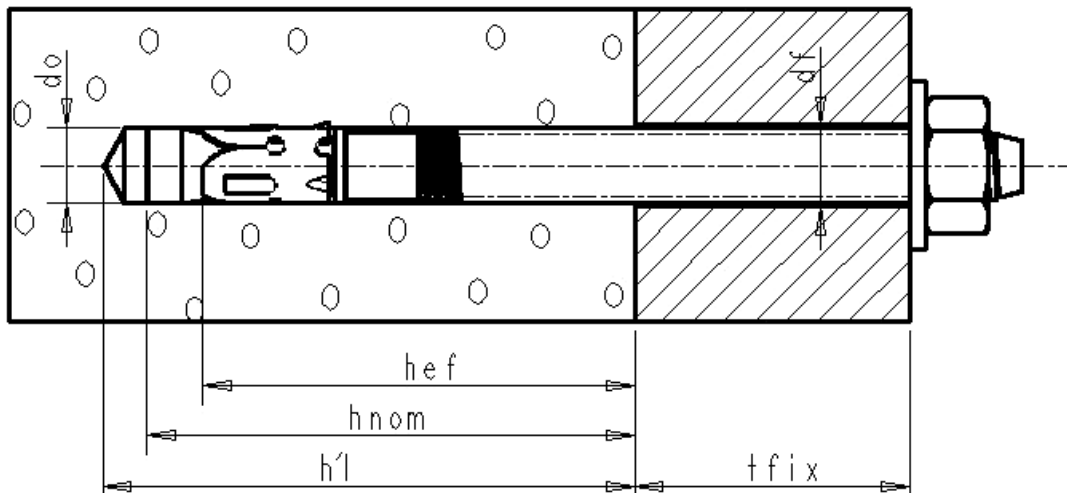
Assembled anchor and schema of the anchor in use :



Marking S FIX on the bolt, with indication of the nominal diameter and different fixture thickness.

Letter code marking

Exemple : S FIX M20/50-25



h_{ef} : effective anchorage depth
 h_{nom} : embedment depth
 h_1 : drilling hole depth
 t_{fix} : fixture thickness

<p>ELEMATIC ETD II torque-controlled expansion anchor</p>	<p>Annex 1</p>
<p>Product and intended use</p>	<p>of European Technical Approval ETA-02/0046</p>