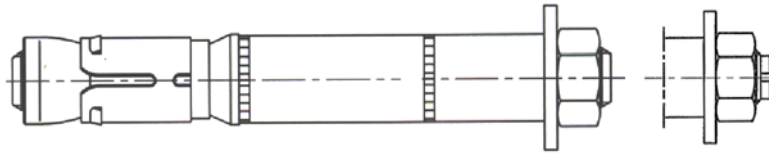
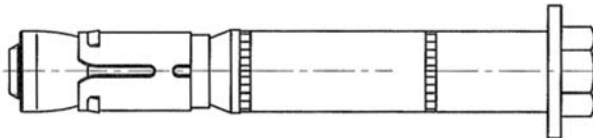


**Anchor type SZ-B with threaded bolt**



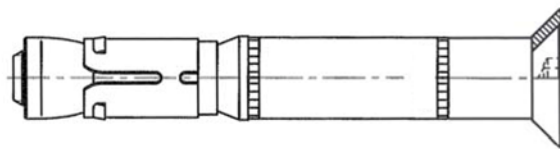
SZ-B (M6-M20)  
SZ-B (M8-M16) A4

**Anchor type SZ-S with hexagon head screw**

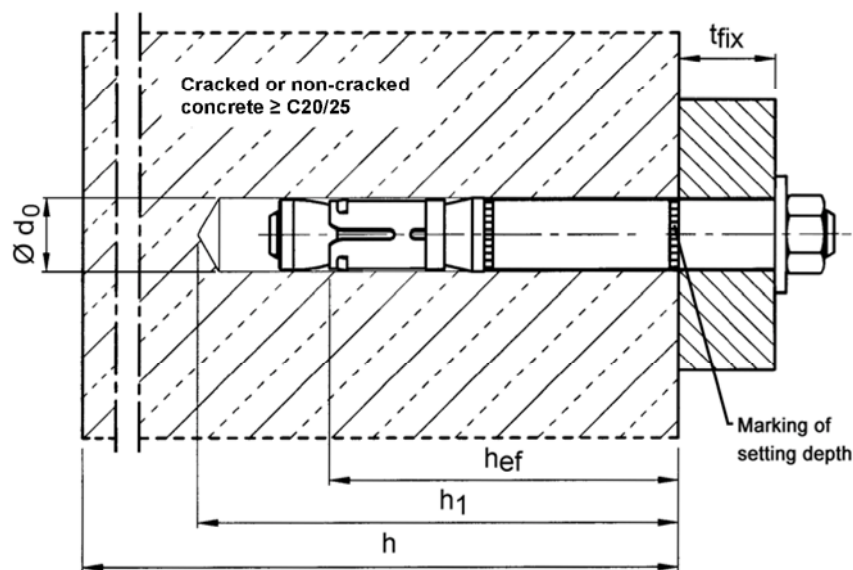


SZ-S (M6-M20)  
SZ-S (M8-M16) A4

**Anchor type SZ-SK with countersunk washer and countersunk screw**



SZ-SK (M6-M12)  
SZ-SK (M8-M12) A4



MKT Highload Anchor SZ, steel zinc plated	10/M6	12/M8	15/M10	18/M12	24/M16	24/M16L	28/M20
Static or quasi-static action	✓						
Seismic action	-					C1	
Resistance to fire	R30 ... R120						
MKT Highload Anchor SZ, stainless steel A4		12/M8	15/M10	18/M12	24/M16		
Static or quasi-static action	✓						
Seismic action	C1						
Resistance to fire	R30 ... R120						

**MKT Highload Anchor SZ**

**Product and intended use**

**Annex 1**