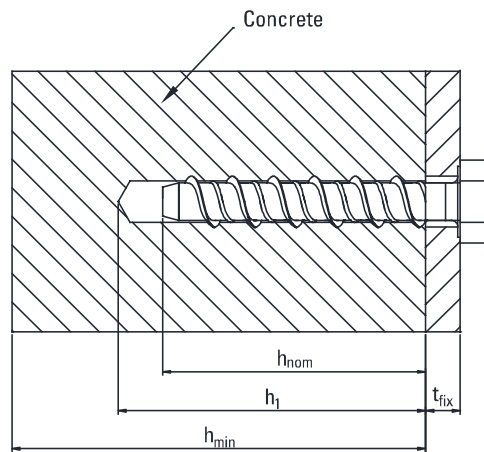


Table 1: Dimensions and material

Anchor size			USB10	USB12	USB14	USB16
Length of anchor L	L _{min}	mm	70	80	100	120
	L _{max}	mm	250	350	350	350
Bolt diameter Ød _k		mm	7.50	9.37	11.35	13.20
Higher thread diameter Ød ₁		mm	9.85	11.95	14.08	16.23
Lower thread diameter Ød ₂		mm	8.13	10.25	12.15	14.18
Thread pitch h _t		mm	10	12	12	17
h _s		mm	5	5	5	5
Material			Steel 10B21 acc. to SAE-J403 Electroplated zinc coating (≥ 5 µm)			



USB ANCHOR	Annex 1 of European Technical Approval ETA-12/0522
Product and intended use	