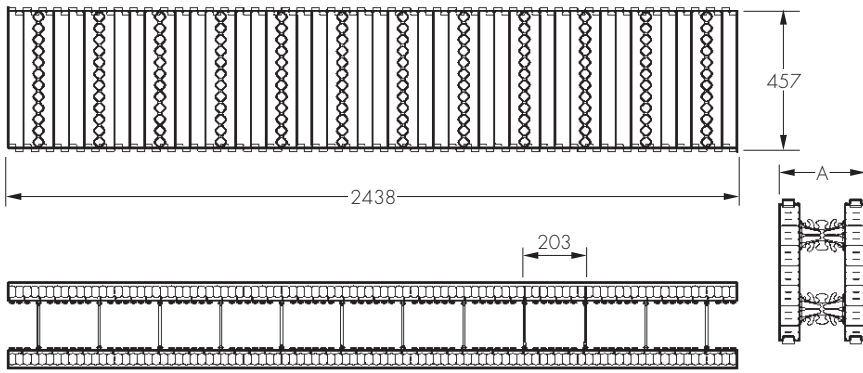


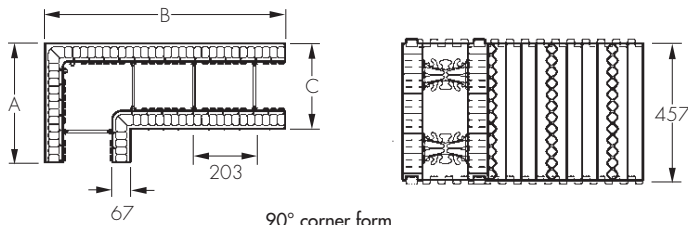
ANNEX 1 PRODUCT RANGE

Figure 1 Standard component details (all dimensions in mm)



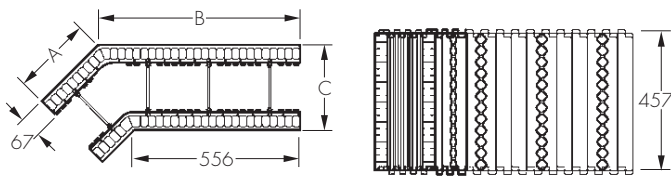
Nominal concrete core (mm)	Dimension A (mm)
100	235
152	286
203	337
254	387
305	438

standard form



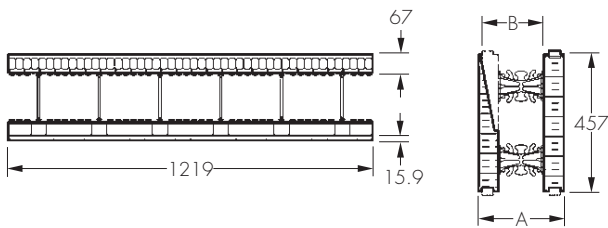
Nominal concrete core (mm)	Dimension (mm)		
	A	B	C
102	397	803	235
152	397	803	286
203	448	854	337
254	494	905	387
305	549	956	438

90° corner form



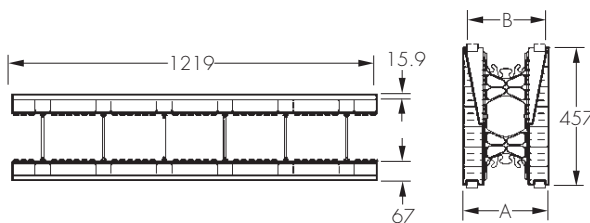
Nominal concrete core (mm)	Dimension (mm)		
	A	B	C
102	267	673	235
152	267	673	286
203	267	673	337
254	318	724	387
305	368	775	438

45° corner form



Nominal concrete core (mm)	Dimension (mm)	
	A	B
102	235	152
152	286	202
203	337	253
254	387	304
305	438	355

tapered top form (one sided)



Nominal concrete core (mm)	Dimension (mm)	
	A	B
102	235	203
152	286	254
203	337	305
254	387	356
305	438	406

tapered top form (two sided)