

Fig. 1 Thermal barrier

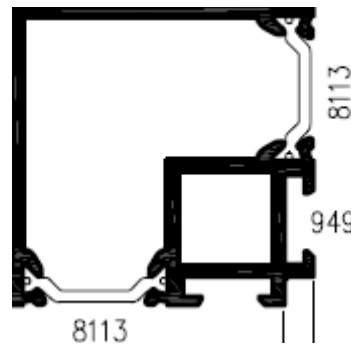


Fig. 2 Thermal barrier mullion profile

## heroal Insulating bars

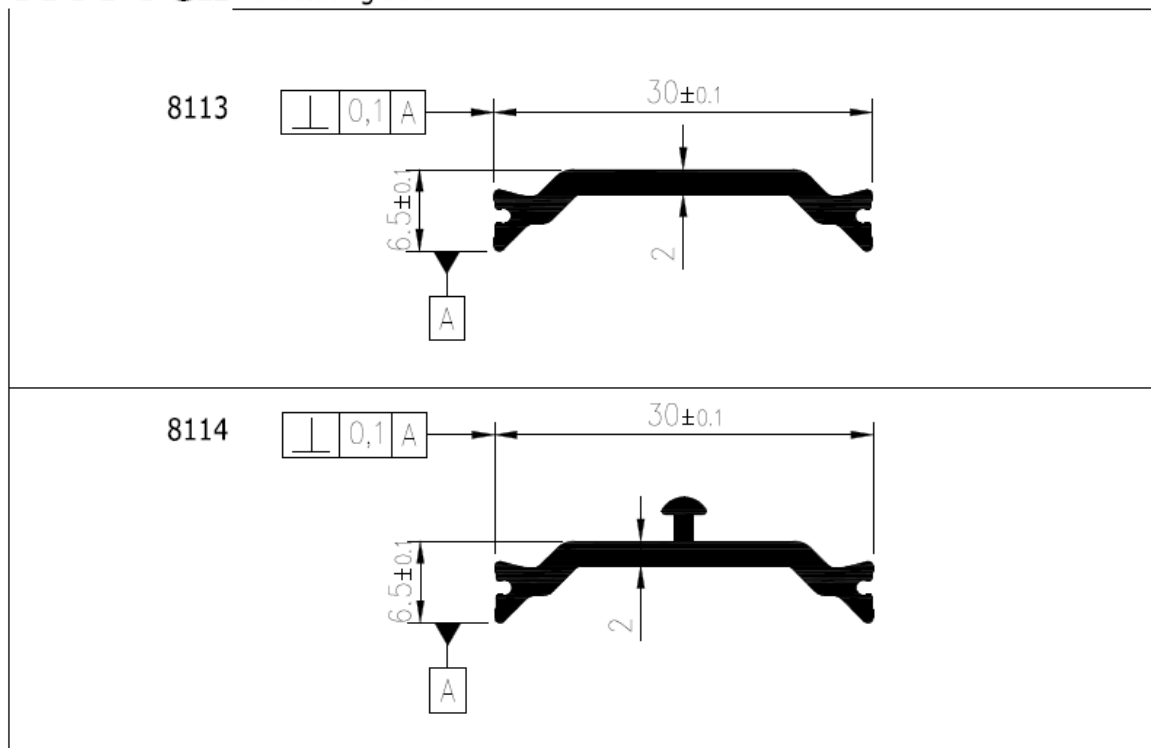


Fig. 3 Tested web/bar