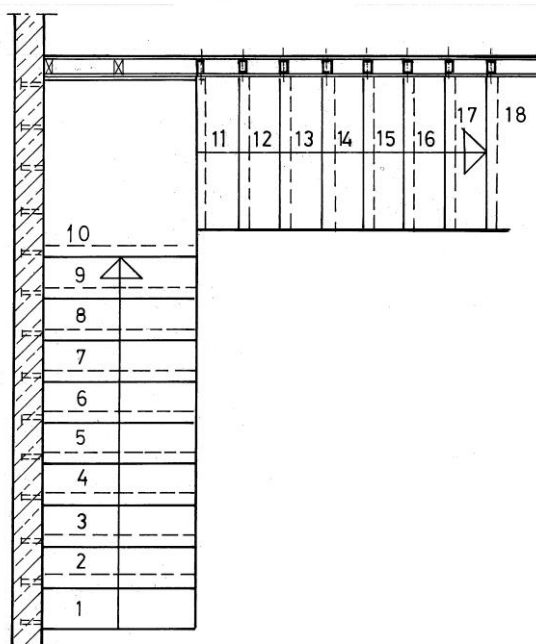
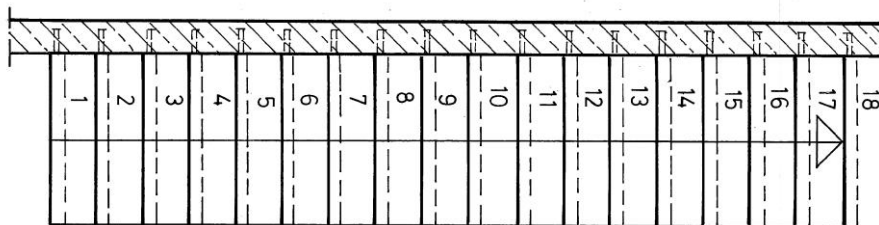
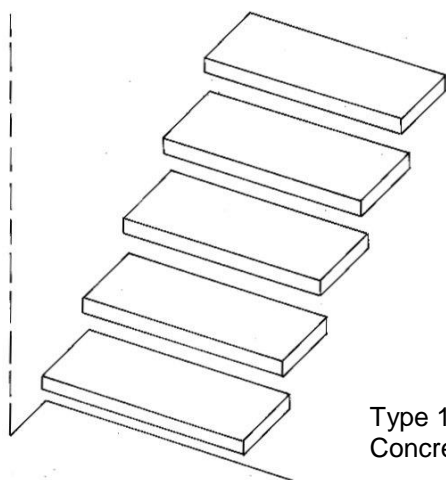


### Type of plan

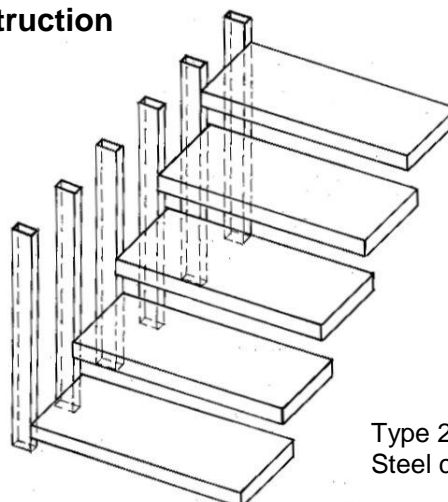
Walking line is exemplified, position may be chosen freely within the walking zone, walking zone is 20 % of the clear width of the stair in the middle of the stair



### Types of construction



Type 1  
Concrete wall



Type 2  
Steel columns

### Cantilever step stair system Schön

Product and intended use

**Annex A1**