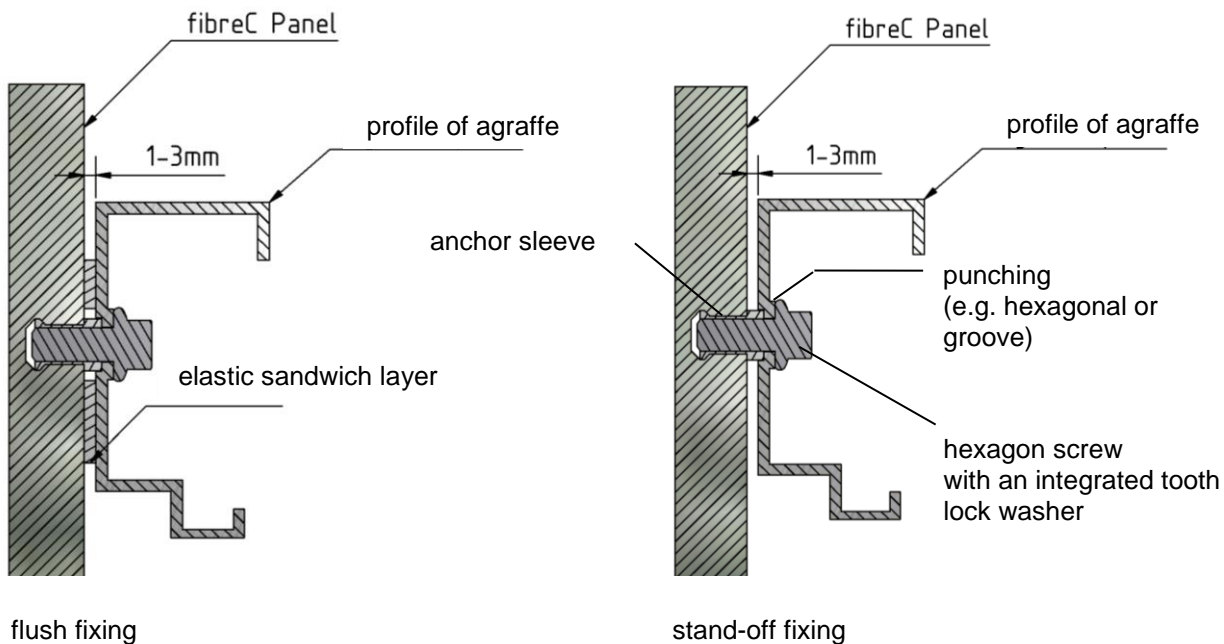
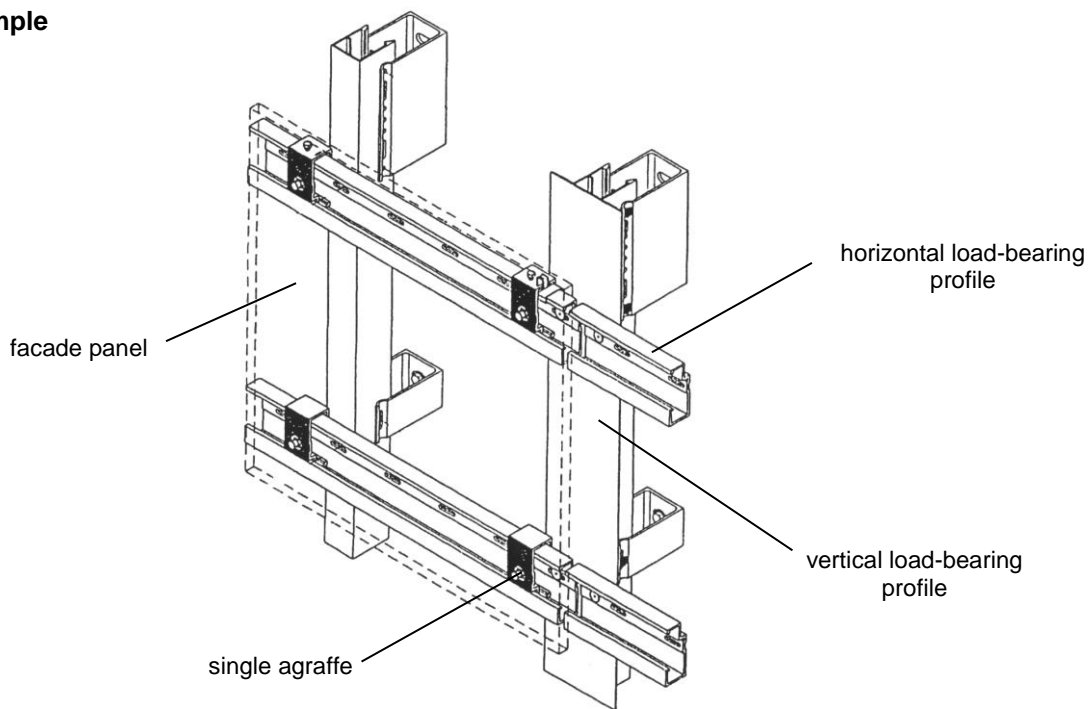


Installed fastener



Fixing example



KEIL undercut anchor KH for glass fibre concrete skin panels "fibreC"

Product description
Installed fastener and fixing example

Annex A 1