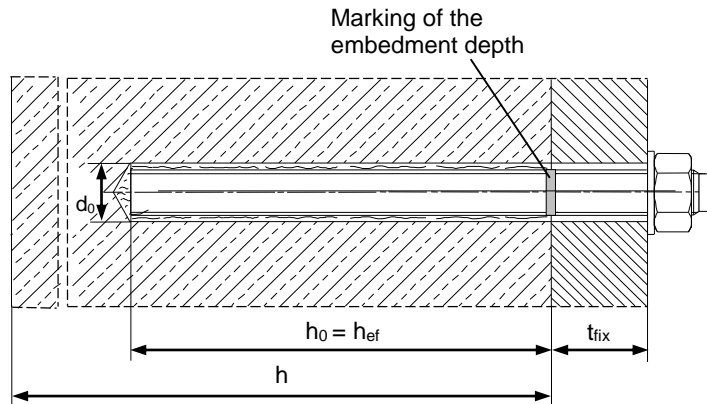
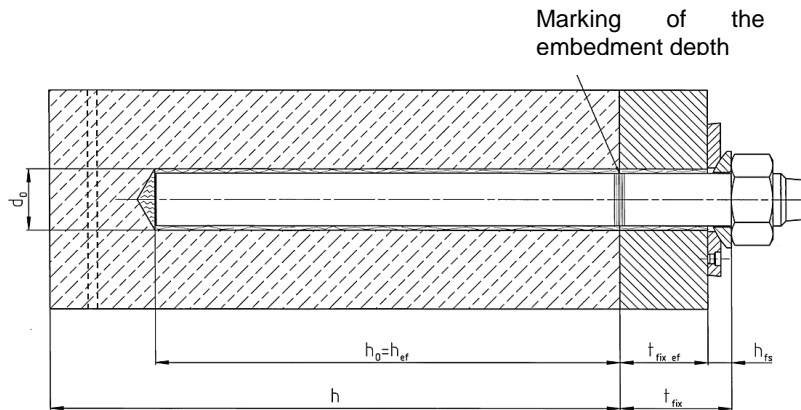


**Installed condition**

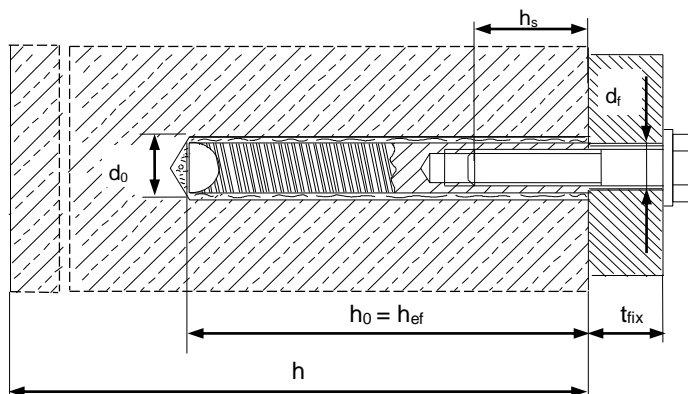
**Figure A1:**  
 Threaded rod, HIT-V-..., AM...8.8 ...



**Figure A2:**  
 Threaded rod, HIT-V-..., AM...8.8, with Hilti Filling Set...



**Figure A3:**  
 Internally threaded sleeve HIS-(R)N



Injection system Hilti HIT-RE 500 V3

**Product**  
 Installed condition

**Annex A1**