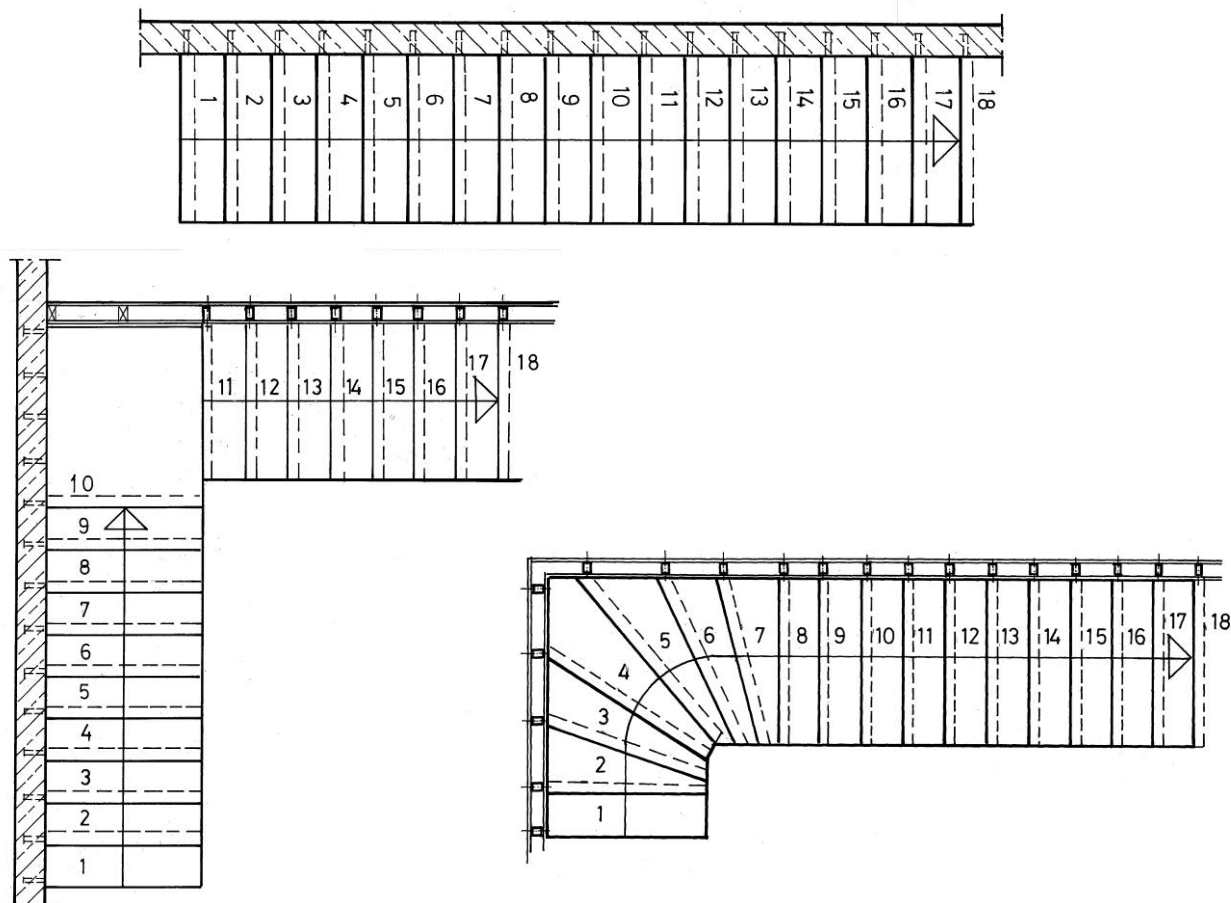


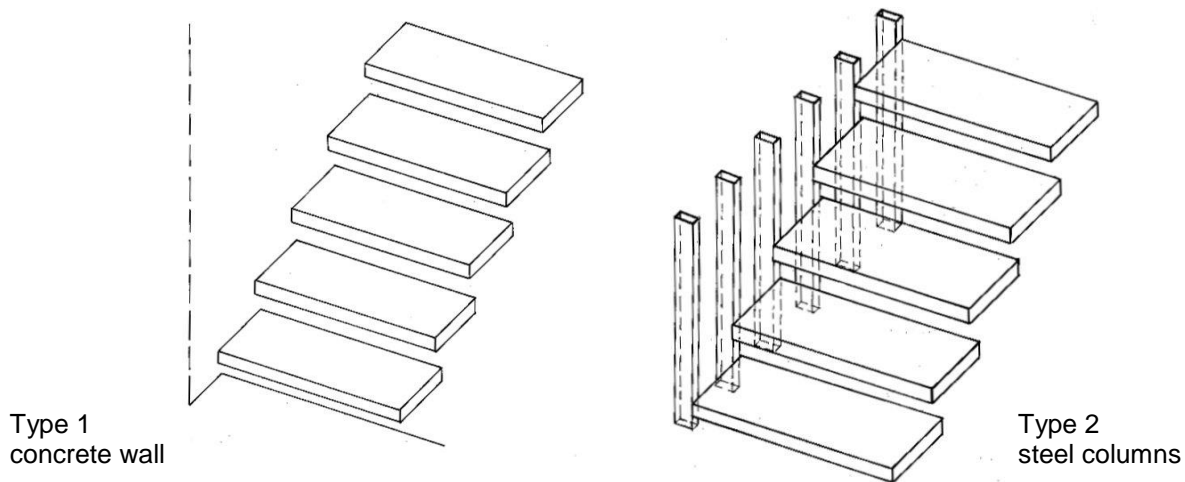
English translation prepared by DIBt

### Types of plan

Walking line is exemplified, position may be chosen freely within the walking zone, walking zone is 20 % of the clear width of the stair in the middle of the stair



### Types of construction



**Cantilever step stair system Bastian**

Product

**Annex A1**