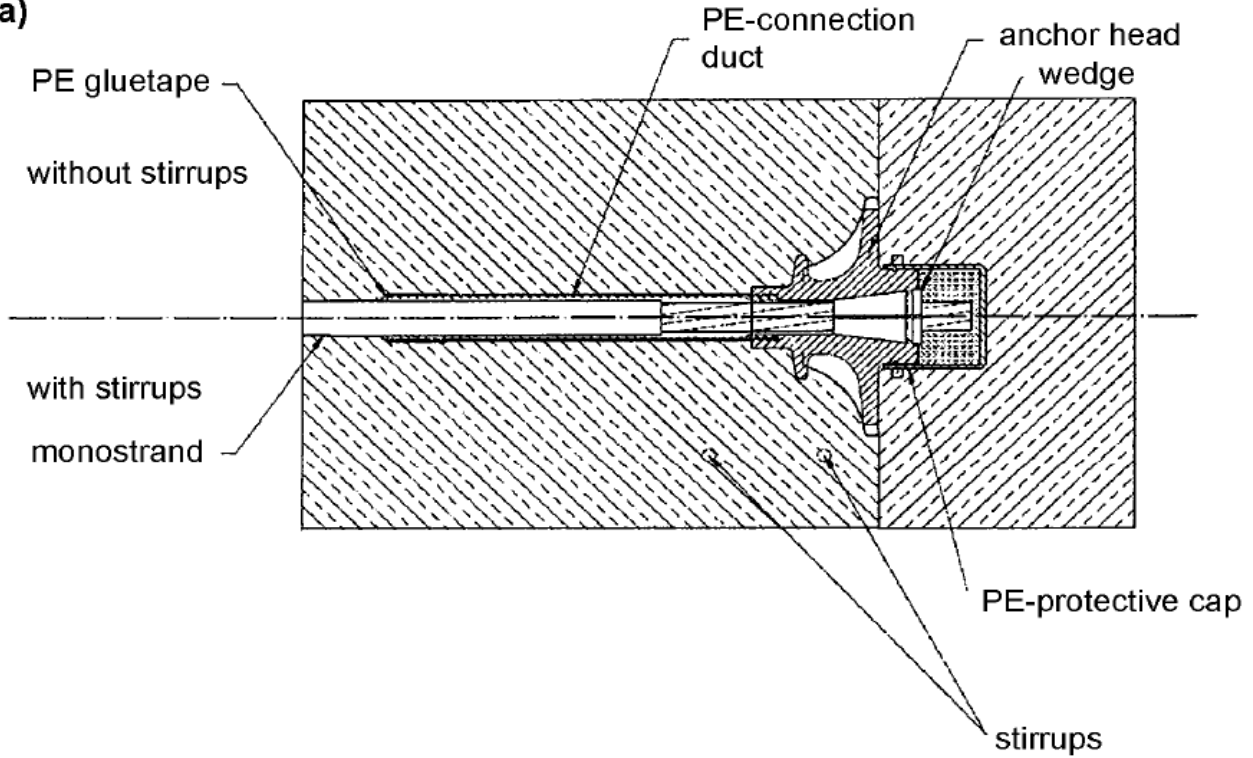


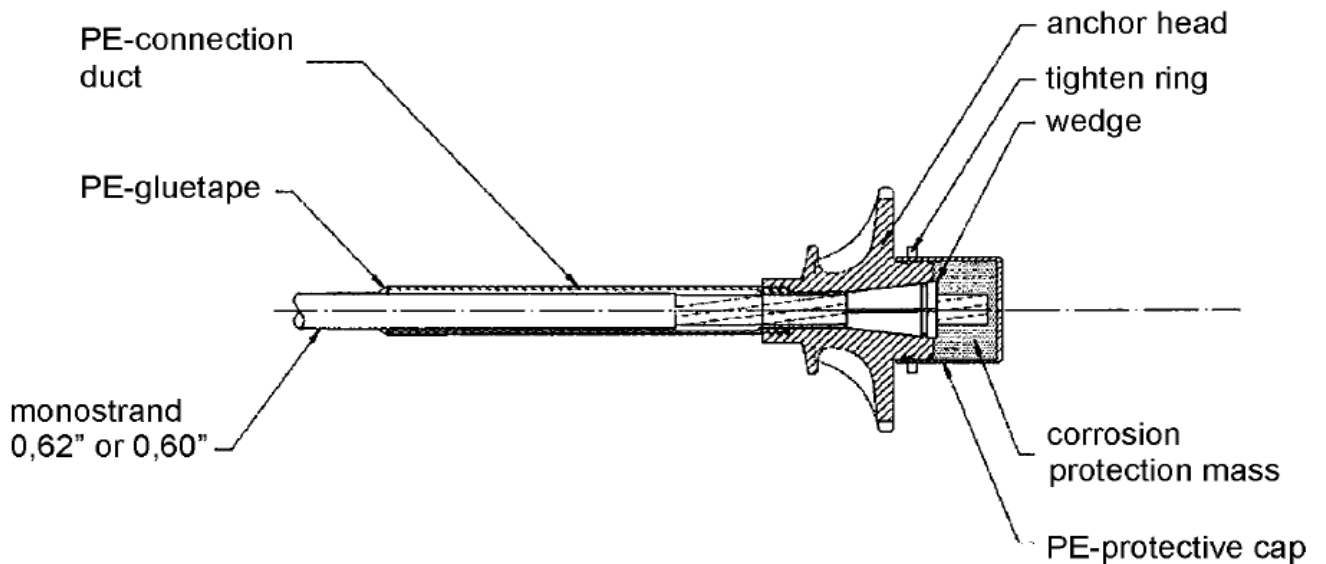
BBV L1 P

Stressing- (S) and fixed anchors (F)

a)



b)



electronic copy of the eta by dibt: eta-13/0810

BBV L1 P

Description of the product

a) Anchorage in concrete – b) complete anchorage

Annex A1