

Installation post installed rebar

Figure A1: Overlapping joint for rebar connections of slabs and beams

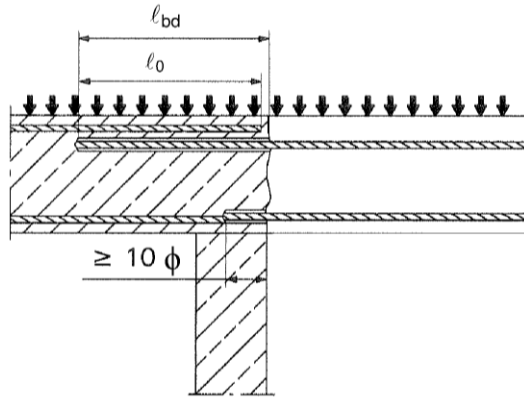


Figure A2: Overlapping joint at a foundation of a wall or column where the rebars are stressed in tension

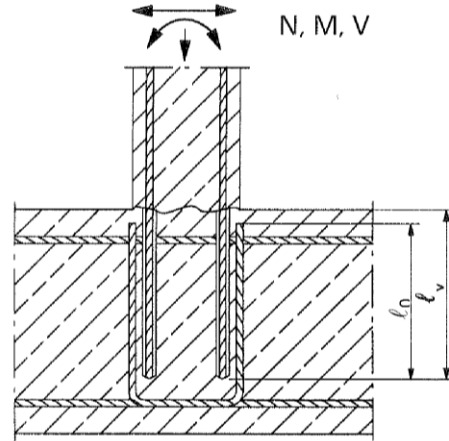


Figure A3: End anchoring of slabs or beams (e.g. designed as simply supported)

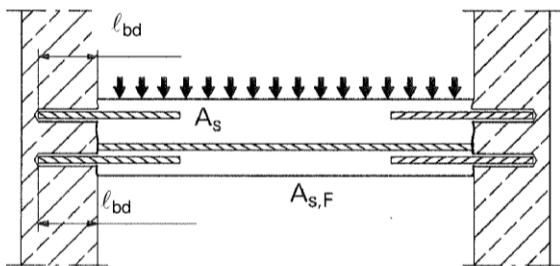


Figure A4: Rebar connection for components stressed primarily in compression. The rebars are stressed in compression

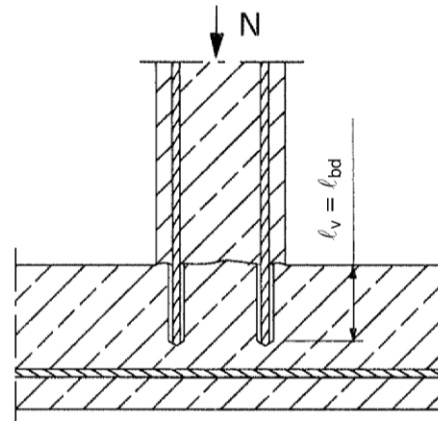
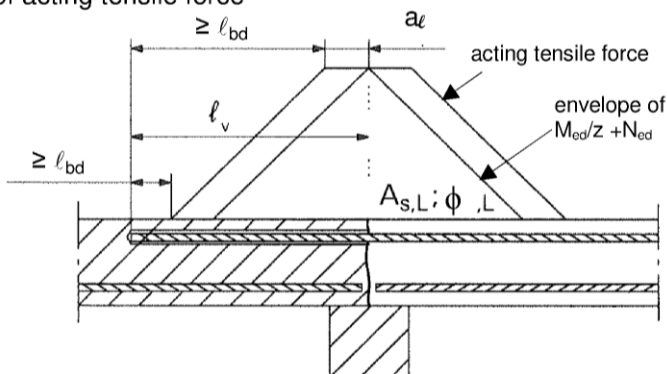


Figure A5: Anchoring of reinforcement to cover the line of acting tensile force



Note to Figure A1 to A5:

In the Figures no transverse reinforcement is plotted, the transverse reinforcement shall comply with EN 1992-1-1:2004+AC:2010.

Preparing of joints according to Annex B 2

Mapei Injection system Mapefix UM Hybrid for rebar connection

Product description
Installed condition and examples of use for rebars

Annex A 1