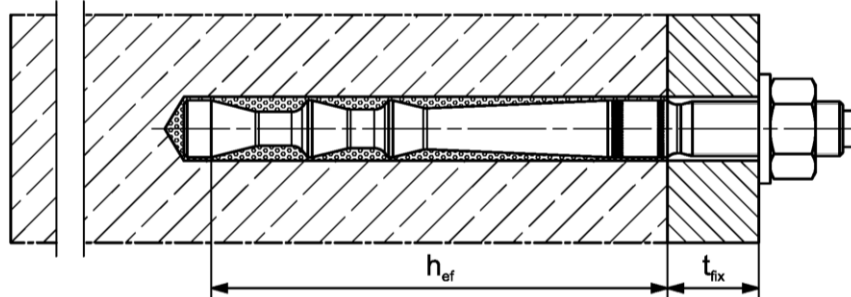


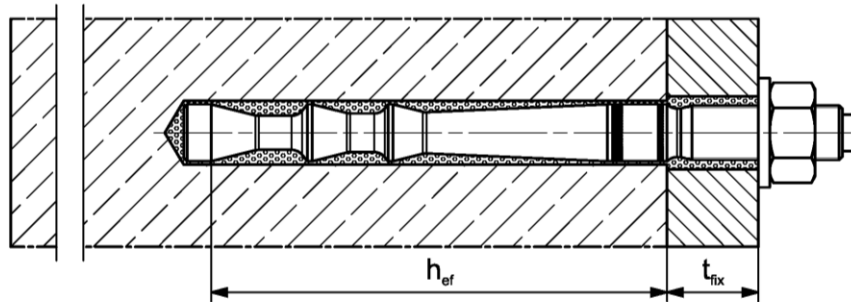
Installation conditions part 1

Upat High-performance-Bonded-Anchor UHB - I - A L

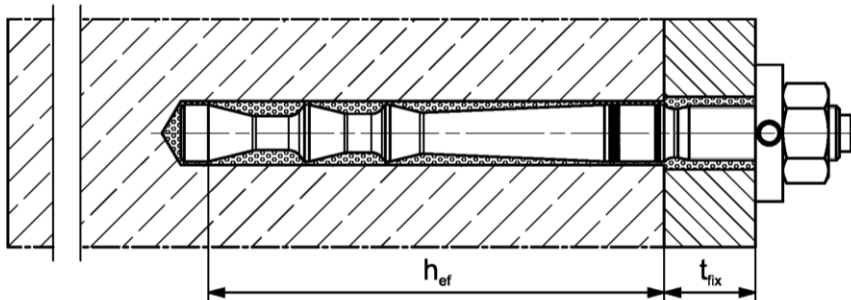
Pre-positioned installation



Push through installation (annular gap filled with mortar)



Pre-positioned or push through installation with subsequently pressed filling disk (annular gap filled with mortar)



Pictures not to scale

$h_{ef}$  = effective anchorage depth

$t_{fix}$  = thickness of fixture

Upat High-performance-Bonded-Anchor UHB-I

Product description

Installation conditions part 1; UHB - I - A L

Annex A 1