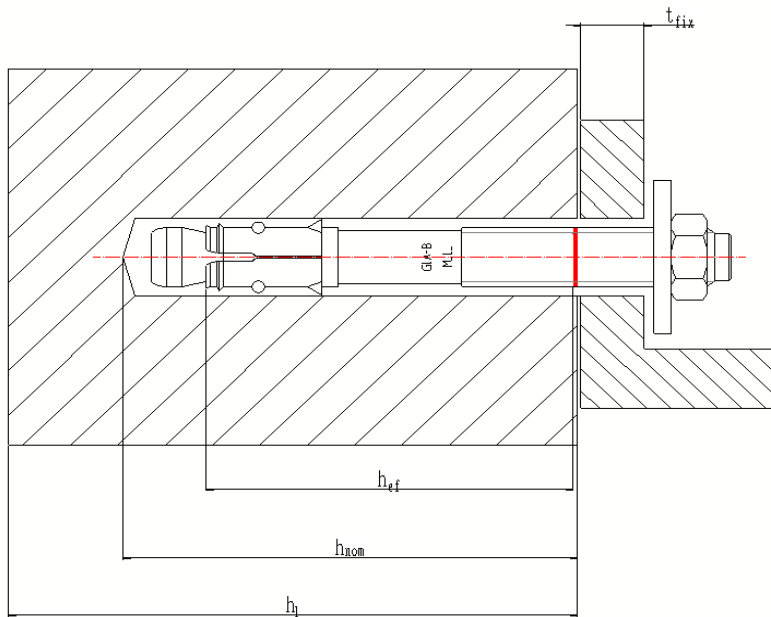
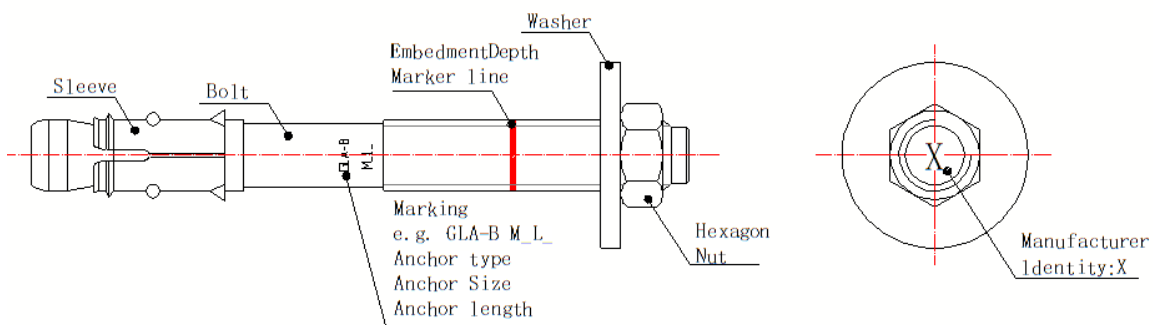


### Installed condition



### Product description

Xiangrui torque-controlled expansion anchor GLA-B



**Table A1: Materials**

Part	Designation	Material: galvanized steel
1	Threaded bolt	Carbon steel class 8.8 acc. To EN 898-1. Protection: zinc plated $\geq 5\mu\text{m}$
2	Expansion sleeve	Carbon steel. Protection: zinc plated $\geq 5\mu\text{m}$ acc. to EN ISO 4092.
3	Hexagonal nut	Carbon steel class 8.8 acc. To EN 898-2. Protection: zinc plated $\geq 5\mu\text{m}$
4	Washer	Carbon steel. Protection: zinc plated $\geq 5\mu\text{m}$ acc. to EN ISO 4092.

**Xiangrui Metal Expansion Anchor GLA-B**

**Annex A1**

**Product description – Installed condition and product description**