

ANNEX 1 PRODUCT DETAILS

1 Cavitrays Type X, Type G, and Advantage

The four styles of abutment cavity trays are illustrated in Figures 1 to 4.

Figure 1 Ridge tray

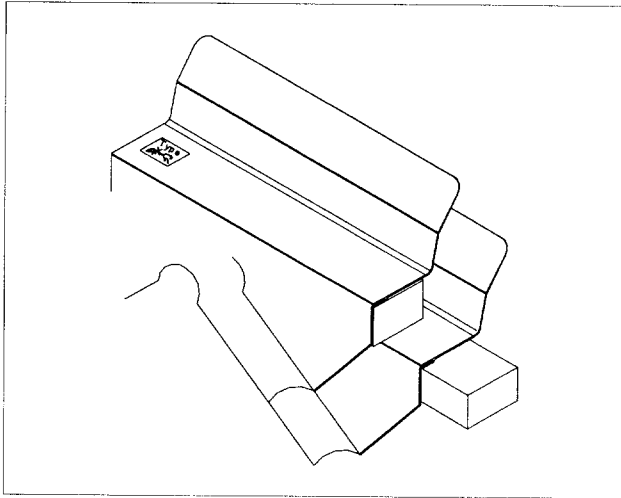


Figure 3 Intermediate tray

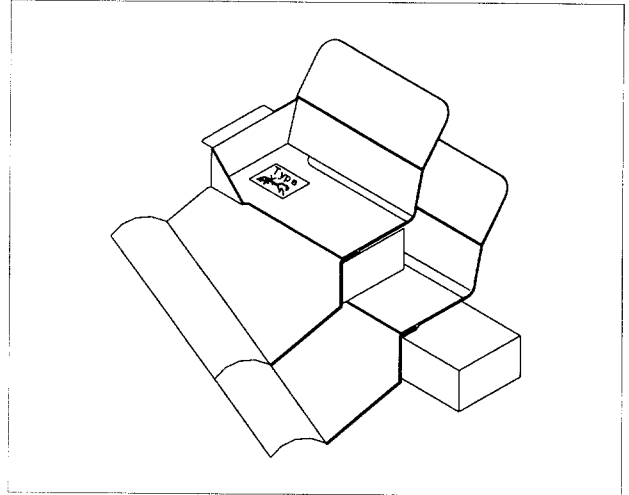


Figure 2 Catchment tray

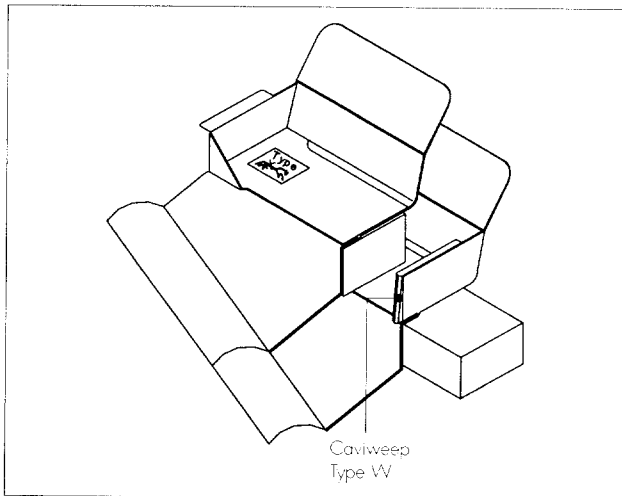
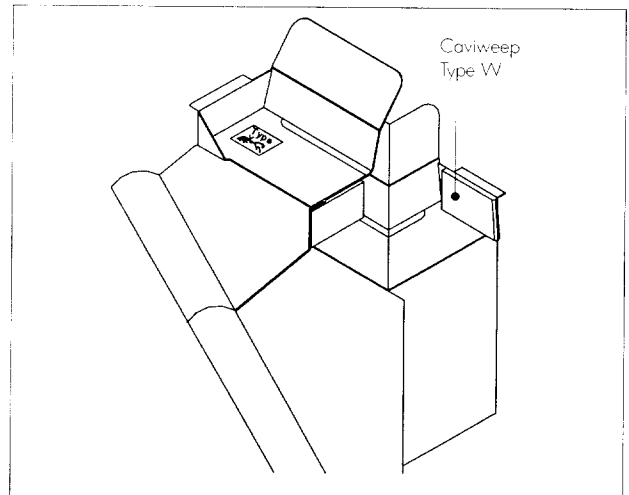


Figure 4 Corner catchment angle tray



Type X Abutment Cavitrays are available in lengths determined by roof pitch (see Table 1).

Table 1 Type X tray lengths

Roof pitch (°)	Length of tray ⁽¹⁾ (mm)
17°–20	330
21–25	270
26–40	230
>45	180

(1) The catchment style trays may be supplied in longer lengths to accommodate specific applications. They are described as extended catchments or G lengths and their dimensions are clearly identified.

(2) At roof pitches below 17°, tray lengths greater than 330 mm should be used in accordance with the manufacturer's advice.

continued