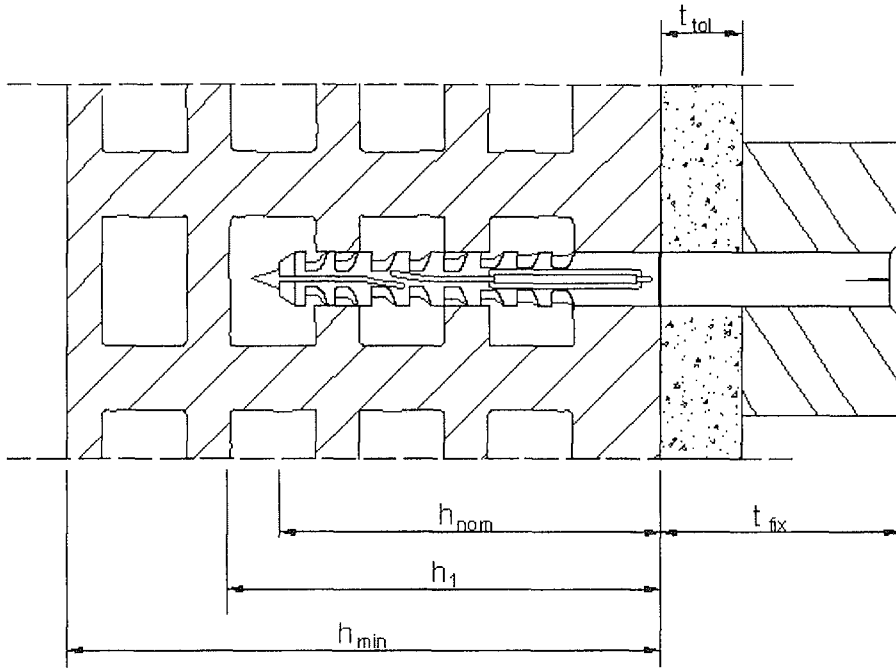
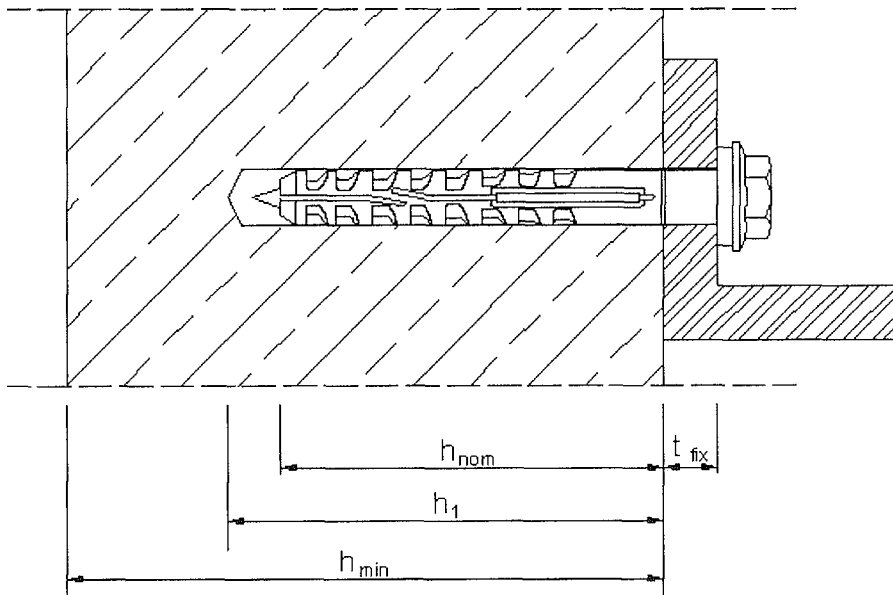


**Intended use in hollow brick**



**Intended use in concrete or solid brick**



- $h_{nom}$  = overall plastic anchor embedment depth in the base material
- $h_1$  = depth of drilled hole to deepest point
- $h_{min}$  = minimum thickness of member
- $t_{fix}$  = thickness of fixture
- $t_{tol}$  = thickness of layer or non-load bearing coating

**MEA® MFR Multifunction frame plug**

Intended use

**Annex 1**

of European  
Technical Approval  
**ETA-draft 07/0337**