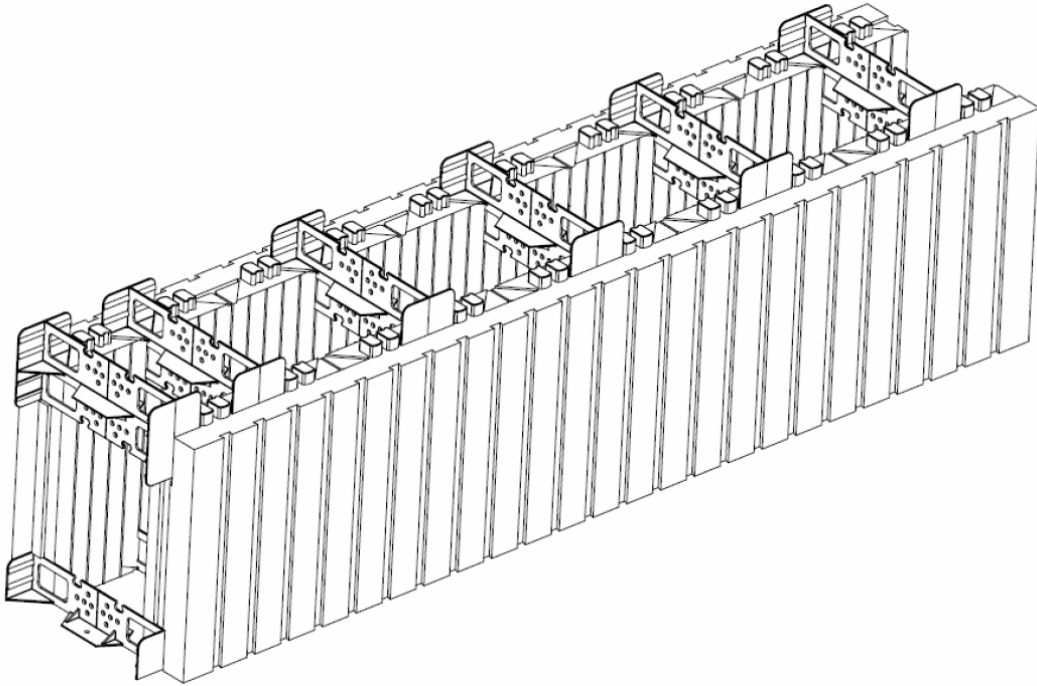
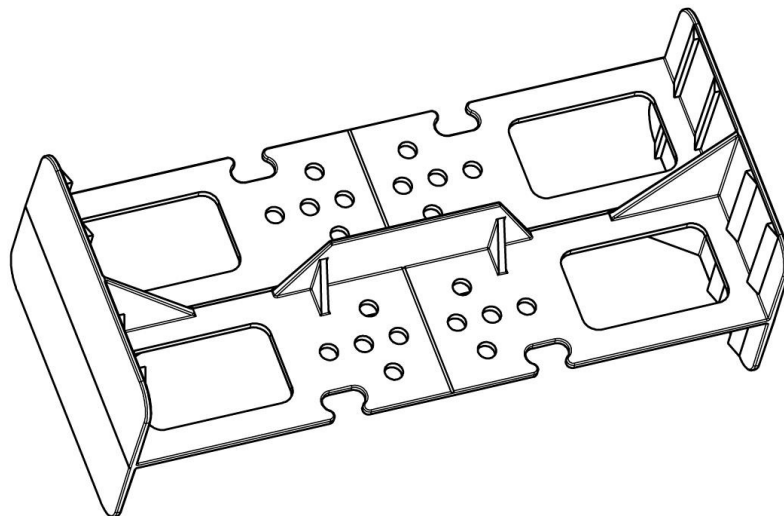


## ANNEX: Drawings



**Figure 1 :current element**



**Figure 2: spacer**